

perfect fit[®]

CUSTOM SHEETING

- Ideal Sheet Size
- Less Waste Generated
- Reduce Paper Cost
- On average 1" = 3% savings

GRADES

PREMIUM QUALITY:

- SBS
- BCTMP

STRENGTH:

- CUK

ECONOMY:

- CCLB / CCNB
- URB

MINIMUMS

1 SHEET

PRODUCTION LEAD TIMES

1 -3 DAYS

CONTACT

(503) 258-3031

- OR -

convertingorders@wcp solutions.com

- OR -

Your Account Manager

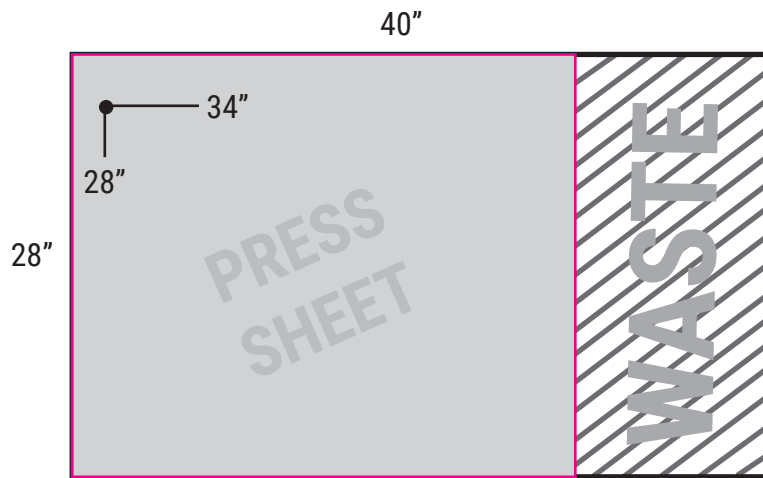


GLOSSARY OF TERMS & BRANDS

DEFINITIONS

	GLOSSARY OF TERMS & BRANDS	DEFINITIONS
PREMIUM	SBS – Solid Bleached Sulfite <ul style="list-style-type: none"> o Candesce C1S o Ancora C2S 	Coated One Side Coated Two Side
	BCTMP – Bleached Chemi-ThermoMechanical Pulp <ul style="list-style-type: none"> o Pro FBB Bright/Carta Solida o Prime FBB Bright/Carta Integra 	Coated One Side High Yield Double Coat Front/Matte Back High Yield
STRENGTH	CUK – Coated Unbleached Kraft <ul style="list-style-type: none"> o Pearl-Kote (SUS - Solid Unbleached Sulfite) o Aqua-Kote (SUS Wet Strength) 	Coated One Side High Strength Coated One Side Wet Strength
	CCLB – Clay Coated Light Back <ul style="list-style-type: none"> o Titan Board 	Coated One Side Economy
ECONOMY	CCNB – Clay Coated News Back <ul style="list-style-type: none"> o Titan Board 	Coated One Side Economy
	URB – Uncoated Recycled Board <ul style="list-style-type: none"> o Kraft Chip (Litho Treated) 	Uncoated Kraft Economy

MINIMIZE WASTE / MAXIMIZE YIELD



$$28'' \times 40'' = 1,120 \text{ in}^2$$

$$28'' \times 34'' = 952 \text{ in}^2$$

15% yield savings = 15% potential \$ savings